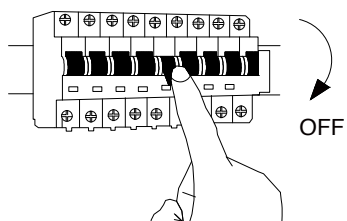


NOVA LUCE

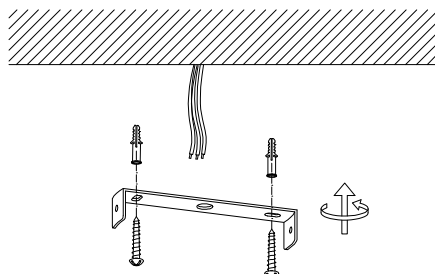
9620147

1



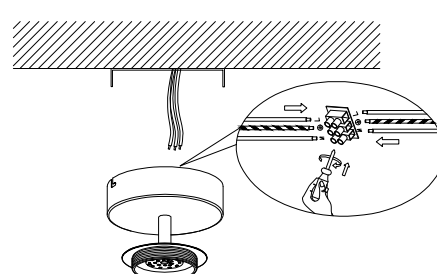
Turn off the general switch

2



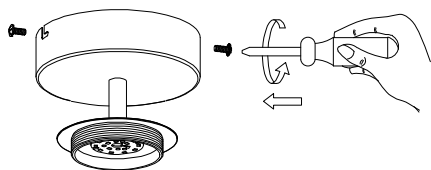
Drill holes
Apply plastic anchors with screws

3



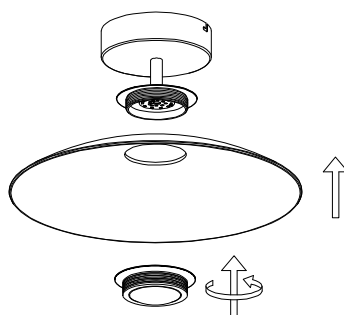
Connect the wires

4



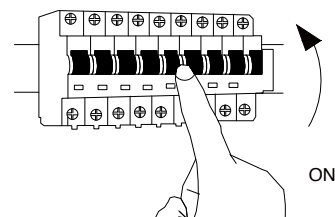
Apply side screws to make it stable

5



Apply the glass & the cap
into place to make it stable

6



Turn on the general switch

